

READ ME FIRST!!!

DSL setup instructions
For Motorola ADSL Modem/Router.

netopia
BROADBAND WITHOUT BOUNDARIES™

1 Checklist

Check your package contents. It should contain the items shown here:



Included with your DSL modem/router you will find a DSL line filter. This filter should be plugged directly into the wall phone jack. The filter has 2 jacks, one for the line to the phone and one for the line to the DSL modem. Each jack is labeled accordingly. Follow the directions on the **back** of this page to setup your modem correctly.

Be sure that your PC or Apple is configured to accept an IP address via DHCP, by:

- **Windows XP:** click on Start -> Run -> type in "ncpa.cpl" double click on "Internet Protocol (TCP/IP)" **Or**
- **Windows Vista:** Click on Start then type ncpa.cpl in the search window and press the enter key on your keyboard. Right click on "Local Area Connection" Left click on Properties then double click on "Internet Protocol version 4(TCP/IPv4)

Then, Click on the circle next to "Obtain an IP address automatically"

Click OK

Click OK or Close

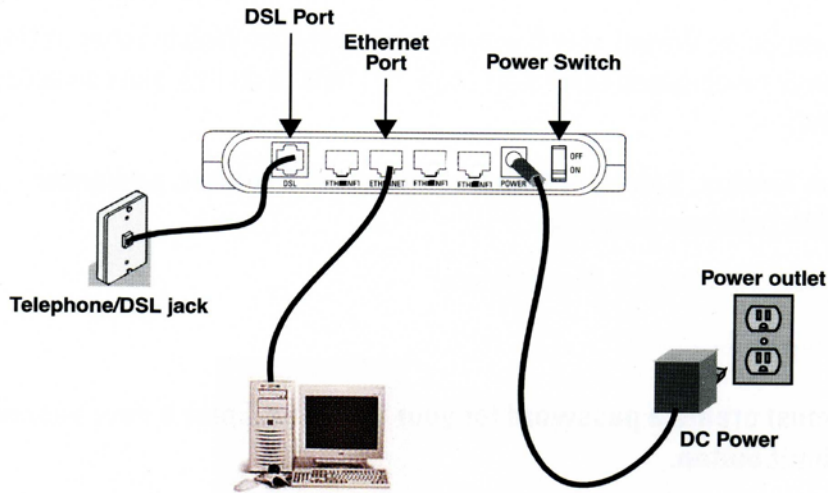
Open up your favorite web browser or email client and enjoy your broadband internet connection. (For wired connections only!)

For Wireless Setup please see page 4

- **OS X operating system:** Click on the apple logo in the upper left corner, select System Preferences. Click Network. Next to the word "Show" select in the drop down menu Built-in Ethernet. Under the TCP/IP tab be sure that next to the word Configure IPv4 in the drop down menu "Using DHCP" is selected. You should be able to connect.

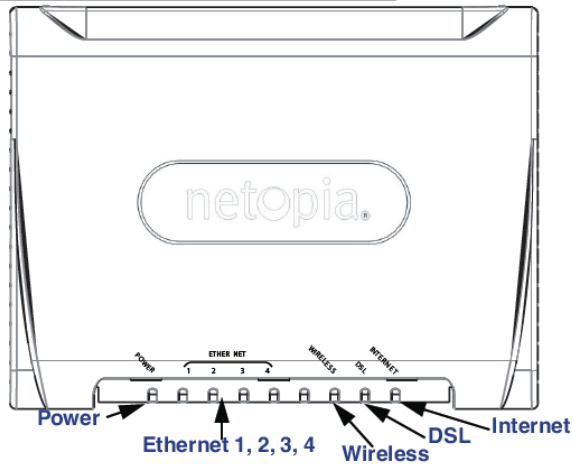
When all of your connections are made, your connections should look like this:

Rear View



Note: You will need an extra hub or switch if more Ethernet ports are needed.

Netopia Gateway 2247NWX status indicator lights



LED	Action
Power	Green when power is on. Red if device malfunctions.
Ethernet 1, 2, 3, 4	Solid green when connected. Flash green when there is activity on the LAN.
Wireless	Flashes green when there is activity on the wireless LAN. Off if driver fails to initialize, or if wireless is disabled.
DSL	Solid green when Internet connection is established.
Internet	Solid green when Broadband device is connected. Flashes green for activity on the WAN port. If the physical link comes up, but PPP or DHCP fail, the LED turns red.

DO NOT LOSE THIS INFORMATION!

MODEM SETUP. The modem should already be configured. Only do this after the reset button has been pushed or the system has been reset to the factory settings. **Do not push the reset button or restore the system to the factory settings unless you have been told to do so by the sisqtel.net help desk.**

(Apple only) When the modem is reset unplug the Ethernet cable from the computer then plug it back in!

Open your web browser and type <http://192.168.1.254/> hit enter on your keyboard.

A window comes up asking for your language preference. From the drop down menu select English, and then click next.

Then you will be asked for a new password, type in a password with 8 characters or more. Make it easy and put your Phone number in with a - (**example 467-0000**). Click next.

- Another window pops up asking for username and password. Username is **admin** and the password is the password that was entered in the previous window.
- Immediately click on Start in the upper left corner.
- A connection information screen will come up, Click Start again.
- Click on Firewall, Click OFF, Click save changes.
- Click on expert mode, Click “Yes, enter expert mode.”
- Click on Configure, Click on Connection
- VPI should be 0, VCI should be 35,
- Protocol should be RFC-1483 Bridged Ethernet LLC/SNAP
- Bridging should be: Disabled
- Concurrent Bridging/Routing should be: Disabled
- Put in your assigned numbers. (On top of your DSL modem)
- Static IP address
- Netmask
- IP Gateway
- Primary DNS
- Secondary DNS
- Leave UPnP Checked
- For wireless set up go to page 4
- Click Save and Restart
- You should see “Do you want to restart your router now.” Click Yes.

The DSL and Internet light should come on in about 2 minutes Click on diagnostics

(For Apple only) Take the Ethernet Cable out and Put it back in, re-enter the Address!

- A login window should pop up.
- Sign in with your username: admin and your password
- Click on Run full diagnostics. All four should pass.
- Or put in a web address and click test (Example: www.yahoo.com) You should get four reply's with a success rate of 100% (4/4)

If you get a fail or a success rate of (3/4) or less call 611 for repair.